

DÖVME ÇELİK, DIŞLI YARIM MANŞON



3000 LB & 6000 LB
ANSI B 16.11

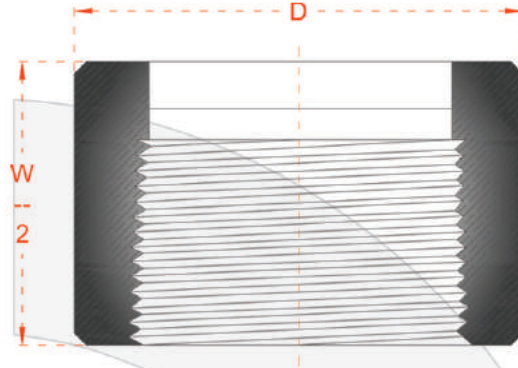


E.M.P.
www.emp.com.tr
www.empflans.com

THREADED FORGED STEEL HALF COUPLING



3000 LB & 6000 LB
ANSI B 16.11



	3000 LB				6000 LB			
	W		D		W		D	
	mm	inc	mm	inc	mm	inc	mm	inc
1/4"	17.5	1.38	19	0.75	17.5	1.38	25	1.00
3/8"	19	1.50	22	0.88	19	1.50	32	1.25
1/2"	24	1.88	29	1.12	24	1.88	38	1.50
3/4"	25.5	2.00	35	1.38	25.5	2.00	44	1.75
1"	30	2.38	44	1.75	30	2.38	57	2.25
1 1/4"	33.5	2.62	57	2.25	33.5	2.62	64	2.50
1 1/2"	39.5	3.12	64	2.50	39.5	3.12	76	3.00
2"	43	3.38	76	3.00	43	3.38	92	3.62
2 1/2"	46	3.62	92	3.62	46	3.62	108	4.25
3"	54	4.25	108	4.25	54	4.25	127	5.00
4"	60.5	4.75	140	5.50	60.5	4.75	159	6.25

Ölçüler mm olarak verilmiştir.
Çelik ve paslanmaz üretilebilir.

Dimensions are in mm.
Steel and stainless steel can be produce